

The Worlds Most Efficient Humidifier Just Got Better! It's Now Remote Mount or Stand Alone

The CleanSteam Humidification system consists of a 900cfm Fan designed to distribute the humidity produced by the popular S2000 Whole House Steam Humidifier. The CleanSteam is designed to operate as a "Stand Alone" humidity delivery system for any home or dwelling regardless of the HVAC system. This works great for homes without air duct systems, with radiant heat systems, homes with wood floors or any high demand humidity setting. The unit will work independently of any HVAC system and maintain the desired RH setting of the digital humidistat.

The CleanSteam also features a replaceable Air Filter to clean the air before it passes over the humidifier. The Air Cleaner function is achieved whenever the fan is running. The 900cfm fan can circulate the air in a typical 2000 square foot home 3.3 times an hour. An independent Fan switch located on The CleanSteam allows this function to be controlled by the occupant.



Pictured with cover

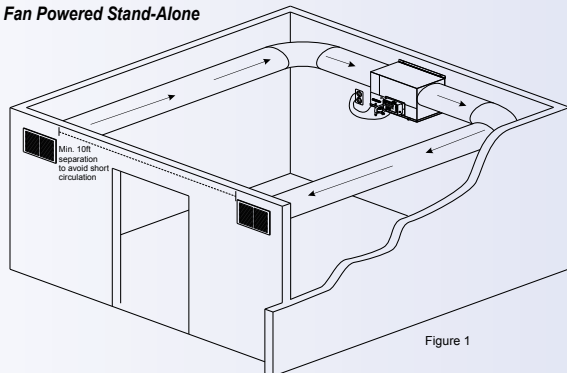
Fan Powered Stand-Alone application where the HUMIDIFIER is mounted on an internal wall of a utility room or other acceptable location and round metal duct, rectangular metal duct or insulated flex duct is used as the means to distribute the air. (See Figure 1) This method could be used in a Condominium or any other similar type dwelling that does not have a Central HVAC system with dedicated air duct. Also, a Townhouse or High Rise Apartment with concealed duct-work or a console type airconditioner that simply will not allow the installation of a conventional humidifier.

Fan Powered Full Bypass application where the HUMIDIFIER is mounted on a wall and is connected to the HVAC's existing Supply air duct. A portion of the supply air is drawn through the HUMIDIFIER and forced back into the Return air duct. (See Figure 2) The HUMIDIFIER is electrically interlocked to the main HVAC blower allowing independent humidification cycles even if the heating system is not running.

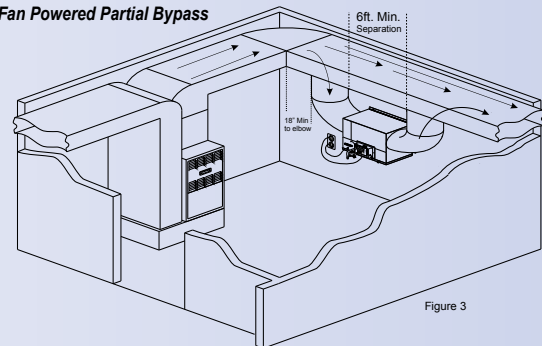
Fan Powered Partial Bypass application where HUMIDIFIER is mounted on a wall and is connected to the HVAC's existing Supply air duct. A portion of the supply air is drawn through the HUMIDIFIER and forced back into the supply duct. (See figure 3) The HUMIDIFIER is electrically interlocked to the main HVAC blower allowing independent humidification cycles even if the heating system is not running.

Fan Powered Attic Bypass application where the HUMIDIFIER is mounted in a closet or other suitable room in the conditioned space of a home. Similar to the Full Bypass Configuration except the bypass duct-work is routed down from the attic to the HUMIDIFIER and then back up into the attic and reconnected to the main return duct. (See Figure 4) The HUMIDIFIER is still electrically interlocked to the main HVAC blower allowing independent humidification cycles to occur. No other Fan powered humidifier has the ability to achieve a successful attic installation and effectively humidify the 2nd floor of a home, without the worries of frozen water lines and water damage.

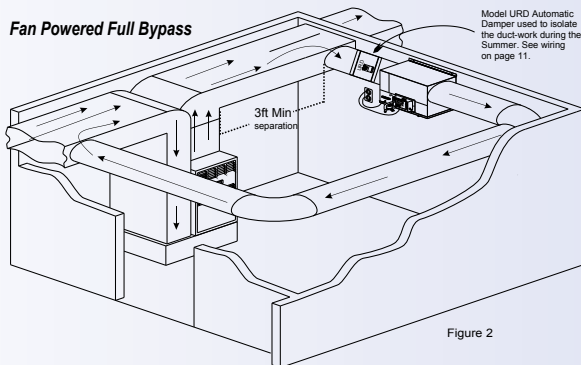
Fan Powered Stand-Alone



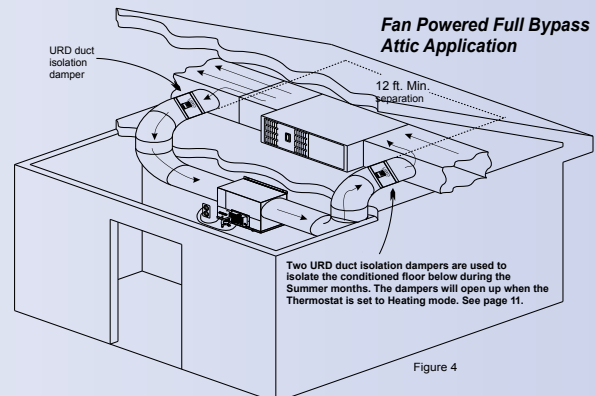
Fan Powered Partial Bypass



Fan Powered Full Bypass



Fan Powered Full Bypass Attic Application



Engineering assistance only a phone call away